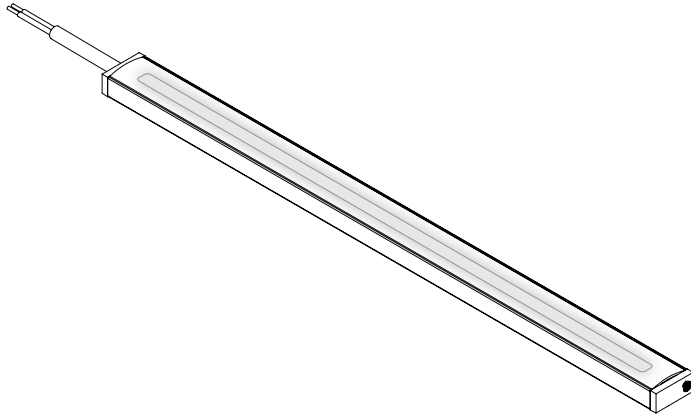




# SPECIFICATION SHEET

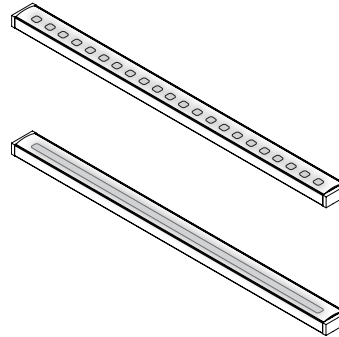


## OVERVIEW

VALENT<sup>®</sup> X Premium Diffused LED Fixture is designed and engineered to provide high quality light with total linear diffusion. Choose a variety of CHROMAPATH<sup>®</sup> Aluminum Channels and specify lengths up to 8ft. while achieving total diffusion with no LED hot spots.

## FEATURES & BENEFITS

- No LED hot spots, total diffusion
- 90+ CRI: superior color rendering
- High R9 and R13 values
- 500 plus lumens per foot
- Available in 8 in. up to 8 ft. fully assembled fixtures
- Multiple CCT options
- 5-Year Warranty



A typical LED fixture creates LED hot spots.

Valent X creates total diffused linear light in the same popular Chromapath channel profiles.

## COMPATIBLE CHROMAPATH CHANNELS

VALENT X Premium Diffused LED Fixture is available fully assembled in the following aluminum channels and finishes:

**CHROMAPATH SLIM**

**CHROMAPATH SQUARE**

**CHROMAPATH 45 DEG**



Brushed  
Aluminum



Satin  
Black



Glossy  
White

### CUSTOM ASSEMBLY ONLY

VALENT X Premium Diffused LED Fixture is manufactured and fully assembled with compatible CHROMAPATH Aluminum Channels at Elemental LED's California Operations Center.

Project	
---------	--

## SPECIFICATIONS

### Compliance & Regulatory Approvals

- UL Listed 2108 Low Voltage Luminaire. UL 1598 / CSA 250.0-08, UL 8750. UL 879 / CAN/CSA-C22.2 no. 207-M89. E469769 (UL Listed), E469770 (SAMS Manual).

### VALENT X Tape Specifications

- Input: 24VDC Constant Voltage
- Length: 8in. - 8ft. (8ft. is maximum available length)
- LED Chip Type: 2835 SMD Chip
- LED Chip Beam Angle: 120°
- LED Chips / ft.: 66
- Dimmable: Yes
- CRI: 92~95
- Luminous Efficacy<sup>1</sup> (lm/w): 60~81
- Mounting<sup>2</sup>: 3M™ 55280 Adhesive or Mounting Clips
- Field Cuttable: No
- Maximum Run<sup>3</sup>: 8 ft.
- Connections<sup>4</sup>: Various connector options available. Leads: UL 2464 20/2 AWG
- Ambient Temp<sup>5</sup>: -4 ~ 122°F (-20 ~ 50°C)
- Operating Temp<sup>6</sup>: -4 ~ 176°F (-20 ~ 80°C)
- Environment<sup>7</sup>: Indoor / dry location
- Dimensions: See Mechanical Diagrams
- Material: Aluminum
- Aluminum Finish: Clear anodized aluminum
- White Finish: White gloss powdercoat
- Black Finish: Black satin powdercoat
- End Cap Material: PVC
- Cover Material: Polycarbonate
- Environment: Suitable for indoor damp location use

	Power Consumption	CCT (KELVIN) <sup>8</sup>	Lumens <sup>9</sup>
<b>VALENT X /1 ft.</b>	7.464W / 290mA		502 lm 503 lm 526 lm 572 lm 575 lm 582 lm 589 lm
<b>VALENT X /4 ft.</b>	29.856W / 1160mA	2500K 2700K 3000K 3500K 4200K 5000K 6300K	2008 lm 2012 lm 2104 lm 2288 lm 2300 lm 2328 lm 2359 lm
<b>VALENT X /8 ft.</b>	59.412W / 2320mA		4016 lm 4024 lm 4208 lm 4576 lm 4600 lm 4656 lm 4718 lm

1. Actual efficacy value is dependent to specified LED driver (power supply). An estimated efficacy value can be calculated as follows: Lumen value divided by average power consumption per foot.
2. Ideal tape application temperature range is 70°F to 100°F (21°C to 38°C). Initial tape application to surfaces at temperatures below 50°F (10°C) is not recommended because the adhesive becomes too firm to adhere readily. However, once properly applied, low temperature holding is generally satisfactory.
3. Each maximum run requires a dedicated power feed from the driver. Do not extend beyond the recommended maximum run length.
4. Wire leads and accessories are not rated for in-wall installation unless otherwise noted. Attached wire leads and connections are field-cuttable.
5. Do not install product in an environment outside the listed ambient temperature. Exceeding the maximum ambient temperature may damage LED chips, reduce the total lamp life, lumen output, and/or adversely impact color consistency.
6. Operating temperature is measured according to the minimum and maximum ambient temperature environment.
7. Do not install in environment where LED chips are exposed to direct sunlight as damage to the phosphor will occur.
8. 2835 SMD Chip binning ranges: (2500K 90+ CRI: 2425-2580K), (2700K 90+ CRI: 2580-2725K), (3000K 90+ CRI: 2870-3045K), (3500K 90+ CRI: 3465-3710K), (4200K 90+ CRI: 3985-4260K), (5000K 90+ CRI: 5028-5310K), (6300K 90+ CRI: 6020K -6530K).
9. Lumen value decreases by less than 9% when installed in channel with cover. LED chips have a luminous flux range with a tolerance of +/- 5%.

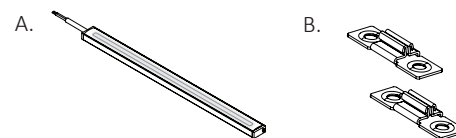
## ASSEMBLY OPTIONS

Assembly Options	Selections	
<b>Fixture Length*</b>	8 in. - 8 ft.	
<b>Fixture Type</b>	SLIM	
	SQUARE	
	45	
<b>Fixture Color</b>	Aluminum	
	White	
	Black	
<b>CCT (Kelvin)</b>	2500K	
	2700K	
	3000K	
	3500K	
	4200K	
	5000K	
	6300K	
<b>Input**</b>	Hard-Wire Lead	
	Female DC Plug	
<b>Input Length</b>	Hard-Wire: 3in. - 20ft.	
	DC Plug 3in. - 42in.	

- \* Minimum fixture length is 8 in. and increasable by 1 in., up to 8ft.  
 \*\* Additional input connector options available per request. Contact customer support for details.

## INCLUDED ITEMS

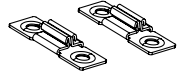
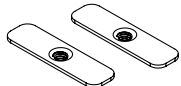
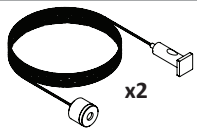
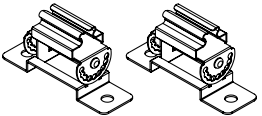
- A. VALENT X Premium Diffused LED Fixture with lead wire (SLIM, SQUARE, or 45°)
- B. CHROMAPATH Mounting Clips (SQUARE or 45° Only) (2x Clips less than 4 ft. - 4x Clips greater than 4 ft.)



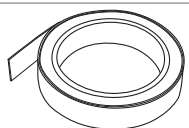



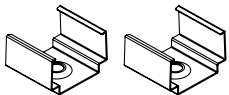
Mounting Clips Sold Separately for Slim Version. See 'Valent X Mounting Accessories' on page 2.

# VALENT X MOUNTING ACCESSORIES

## Mounting Accessories - SQUARE / 45° Channels

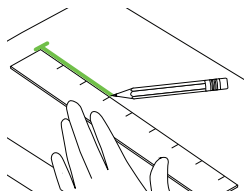
Item #	Finish	Form Factor	Bundles	Product Description	
DI-CPMC2-SCR4	Steel	<b>Mounting Clips</b>	Pack of 2 clips / 4 screws	Secure VALENT X to flat surface with this pressure-fit clip. Adds 0.12in. height to channel.	
DI-1630-20			Pack of 20 clips / 40 screws		
DI-1912	Steel	<b>CHROMAPATH Vertical Mounting Brackets</b>	Pack of 2	Used to install VALENT X in a vertical orientation and includes an Allen key and allen screws for securing to a vertical surface.	
DI-CPCH-HNG	Steel	<b>CHROMAPATH Hanging Hardware Kit</b>	Pack of 2 hanging mounts / 2 Wire restrainers / 4 screws	Transform VALENT X into a pendent fixture with CHROMAPATH Hanging Hardware Kit.	
DI-CPCH-RC-BA DI-CPCH-RC-WH DI-CPCH-RC-BL	AL WH BL	<b>CHROMAPATH Rotating Mounting Clips</b>	Pack of 2 clips / 4 screws	Secure VALENT X to flat surface and adjust to desired angle with this pressure-fit clip. Adds 0.74in. height to channel.	

## Mounting Accessories - SLIM Channels

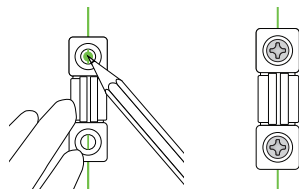
Item #	Finish	Form Factor	Bundles	Product Description	
DI-1633	AL	<b>SLIM Mounting Tape</b>	4 ft. x 0.75 in.	3M® high-bond double-sided adhesive tape designed to install the CHROMAPATH SLIM on a flat, indoor surface.	
DI-1634	WH BL N/A		12 ft. x 0.75 in.		
DI-CPCH-UC-BA DI-CPCH-UC-WH DI-CPCH-UC-BL	AL  WH  BL 	<b>SLIM Mounting U-Clips</b>	Pack of 2 clips / 4 screws	Secure SLIM Channel to flat surface with this pressure-fit clip. Also compatible when installed with PREMIUM DIFFUSION cover. Adds 0.12in. height to channel.	

## MOUNTING

### ① DRAW GUIDE LINE & FASTEN STANDARD MOUNTING CLIPS.

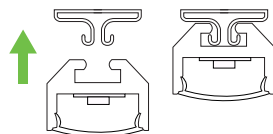


a. Draw guiding line with a ruler and pencil.

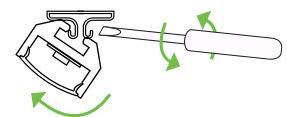


b. Mark holes. Use min one clip for every foot of channel. Fasten with applicable screws w/ screwdriver or drill.

### ② MOUNT CHROMAPATH CHANNEL



a. Firmly press channel into mounting clip.



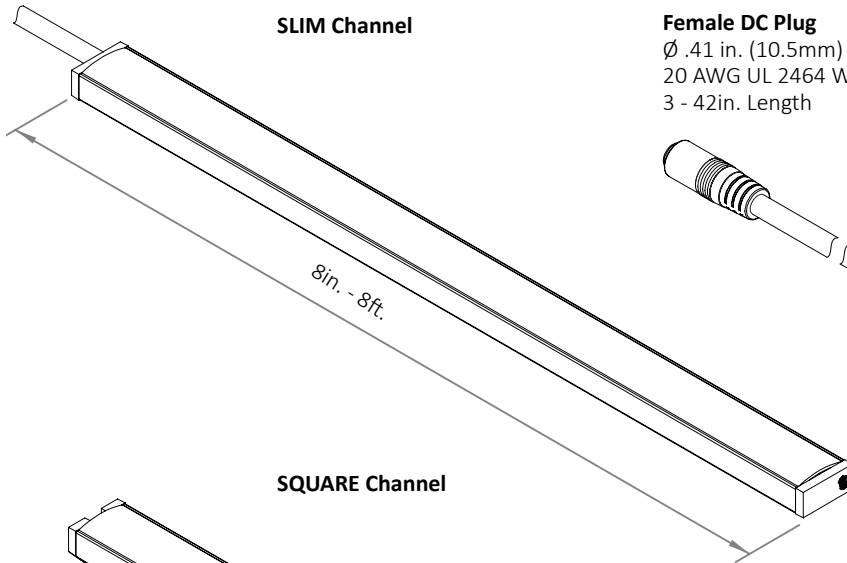
b. Use flathead screwdriver to remove. Wrap tip with masking tape to prevent scratching channel surface.

**Note: Mount SLIM Channels with Mounting Tape or SLIM Mounting U-Clips.**

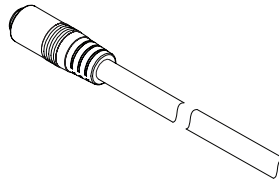
### MOUNTING VERTICALLY?

See the CHROMAPATH Vertical Mounting Bracket Installation Guide at [www.DiodeLED.com](http://www.DiodeLED.com).

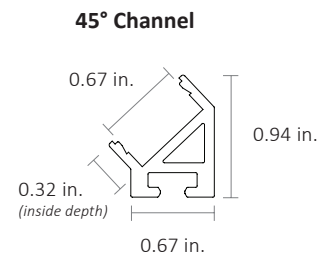
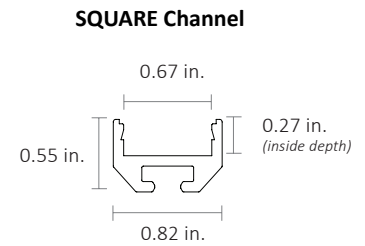
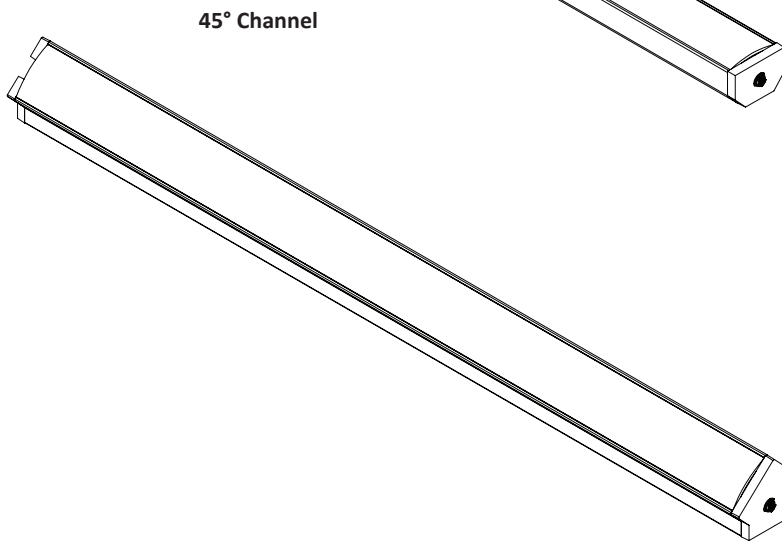
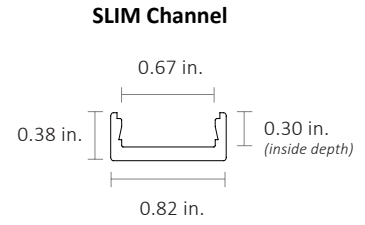
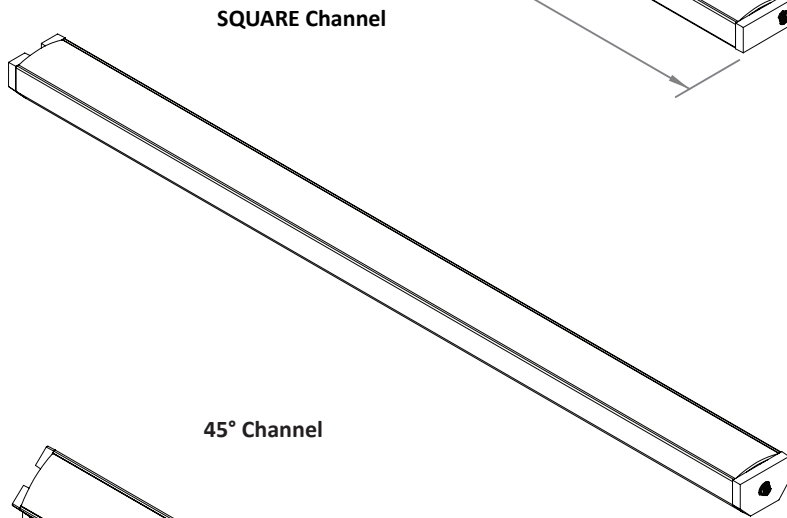
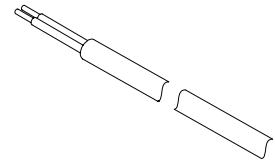
# MECHANICAL DIAGRAMS



**Female DC Plug**  
 Ø .41 in. (10.5mm) Female DC Plug  
 20 AWG UL 2464 Wire (White)  
 3 - 42in. Length

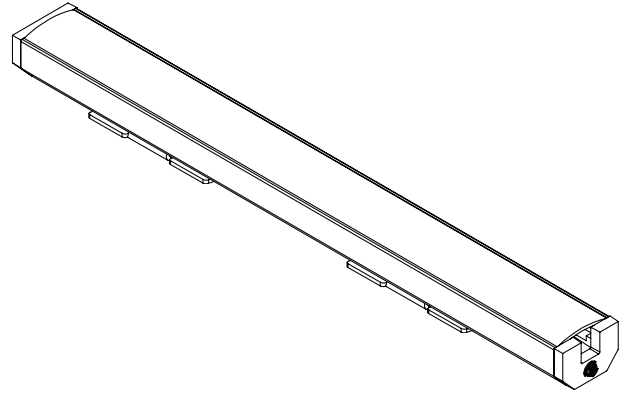
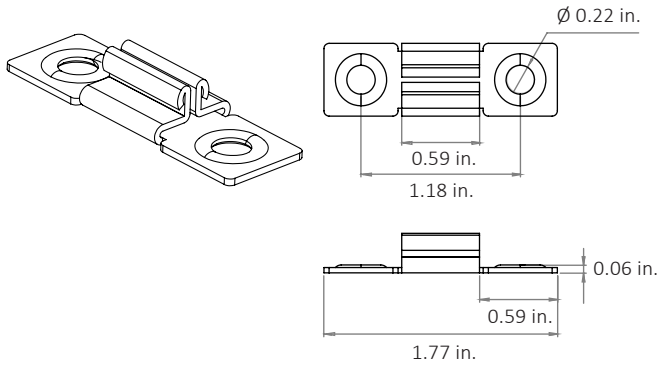


**Hard-Wire Lead**  
 Ø .19 in. Hard-Wire Lead  
 20 AWG UL 2464 Wire (White)  
 3in. - 20ft. Length

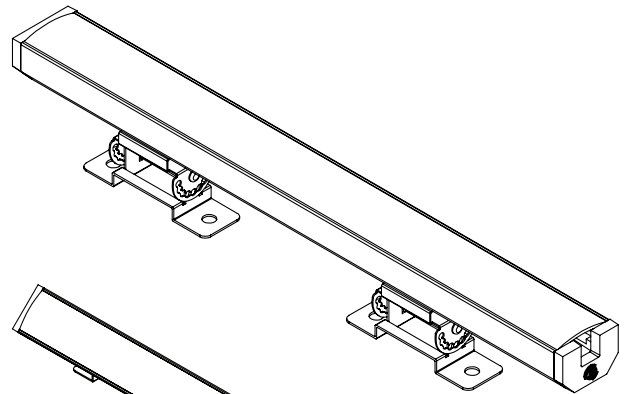
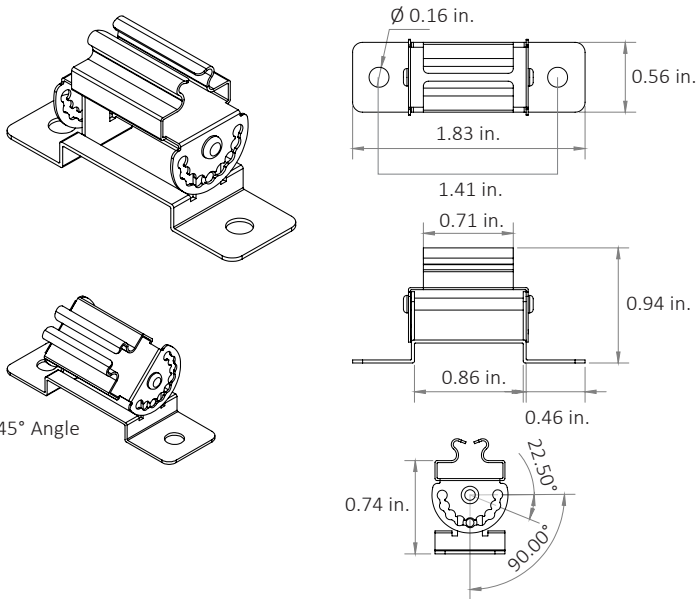


# MECHANICAL DIAGRAMS

## Mounting Clip



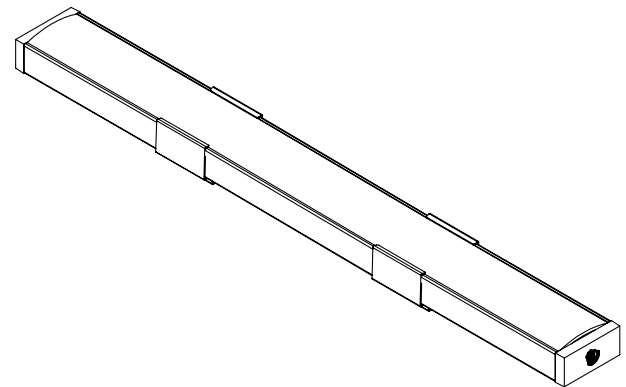
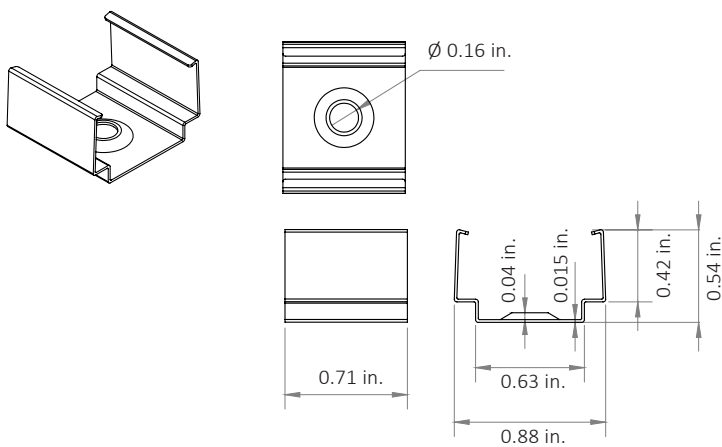
## Rotating Mounting Clip



45° Angle

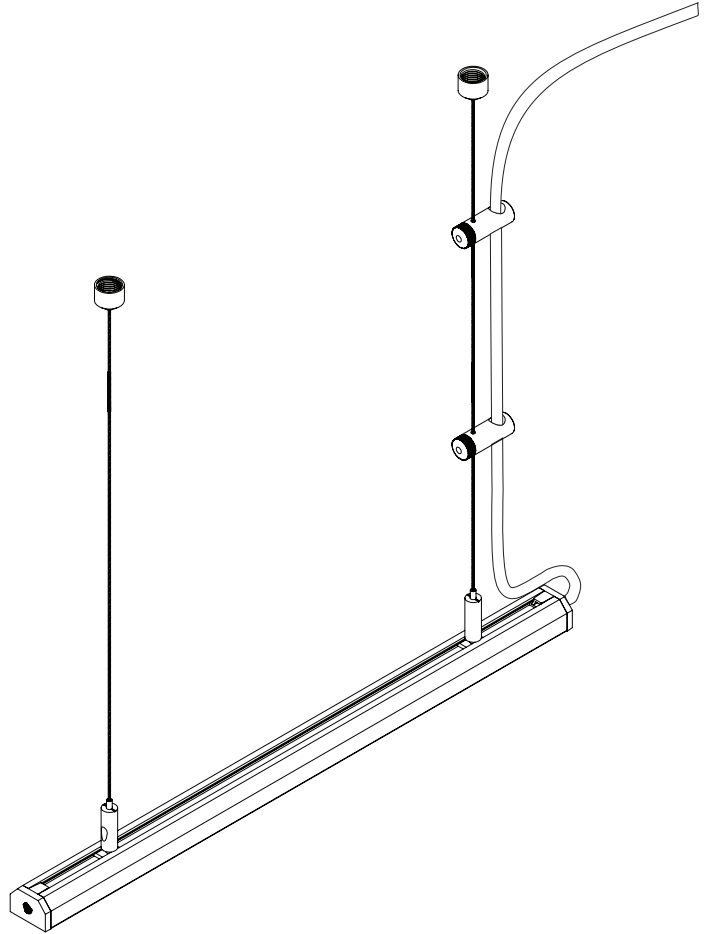
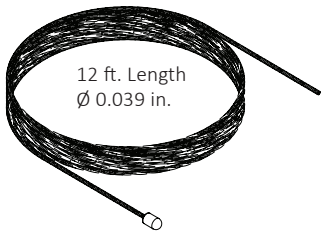
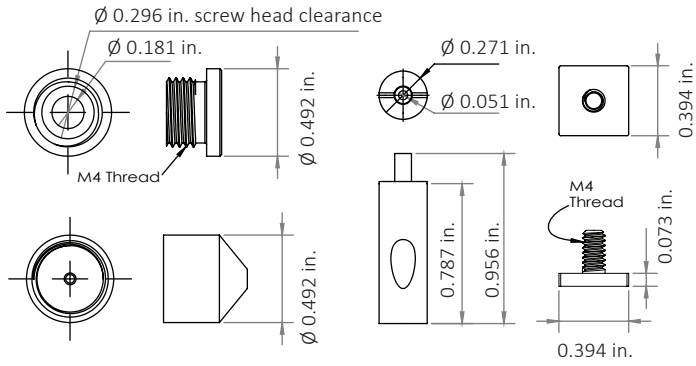
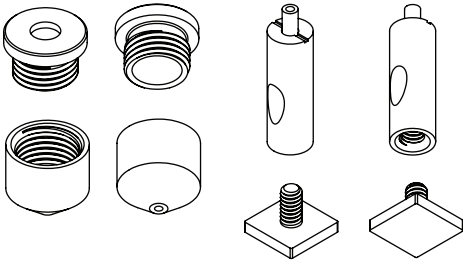
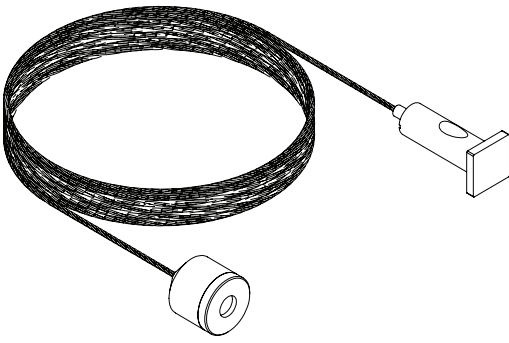
45° Angle

## SLIM Mounting U-Clip



# MECHANICAL DIAGRAMS

## Hanging Hardware Kit



## ADDITIONAL RESOURCES

CHROMAPATH ALUMINUM CHANNEL SPEC SHEET  
CHROMAPATH ALUMINUM CHANNEL INSTALL GUIDE  
LOW VOLTAGE LED TAPE LIGHT INSTALL GUIDE

## SAFETY / WARNINGS / DISCLOSURES

1. Install in accordance with national and local electrical code regulations.
2. This product is intended to be installed and serviced by a qualified, licensed electrician.
3. Only install with a Class 2 DC Constant Voltage LED driver. This product has not been evaluated for use when connected to an LED driver that does not comply with Class 2 voltage and energy limited supplies.
4. Only use copper wiring. Use wires rated for at least 176°F (80°C) and certified for use with external connection of electrical equipment.
5. Each maximum run requires a dedicated power feed from the driver. Do not extend beyond the recommended maximum run length.
6. Tape light, attached wire leads, and additional extension cables, connectors, etc., are not rated for in-wall installation unless otherwise noted. Tape light and attached wire leads are field-cutttable.
7. Ensure applicable wire is installed between driver, fixture, and any controls in-between. When choosing wire, factor in voltage drop, amperage rating, and type (in-wall rated, wet location rated, etc.). Inadequate wire installation could overheat wires, and cause fire.
8. Do not install in environment where LED chips are exposed to direct sunlight as damage to the phosphor will occur.
9. Do not install in environment where excessive heat may exist (ex. close proximity to fireplace, etc.) See Ambient Temperature ratings
10. Do not install indoor LED tape light products in outdoor / wet location environments. Only wet location tape light models are rated for outdoor / wet locations.
11. Do not modify product beyond instructions or warranty will be void.
12. Tape light must be handled with care. Excessive handling, bending, and pressure may damage the product, voiding the warranty.
13. Actual color may vary from what is pictured on this sheet and other print materials due to the limitations of photographic processes.
14. We reserve the right to modify and improve the design of our fixtures without prior notice. We cannot guarantee to match existing installed fixtures for subsequent orders or replacements in regards to product appearance, CCT, or lumen output.

## WARRANTY

### Limited Warranty

This product has a five (5) year limited warranty from the date of shipment. This warranty does not include the additional accessories referenced in this specification sheet. Complete warranty details for fixtures and additional accessories are available at [www.diodeled.com/limited-warranty/](http://www.diodeled.com/limited-warranty/) within the Policies section. For warranty related questions please contact product support.

### Consumer's Acknowledgment

Elemental LED, Inc. stands behind its products when they are used properly and according to our specifications. By purchasing our products, the purchaser agrees and acknowledges that lighting design, configuration and installation is a complex process, wherein seemingly minor factors or changes in layout and infield adjustments can have a significant impact on an entire system. Choosing the correct components is essential. Elemental LED is able to work with the original purchaser to make an appropriate product selection to the extent of the limited information that the customer can provide, but it is virtually impossible for Elemental LED to design a system that foresees every unknown factor. For this reason, this Warranty does not cover problems caused by improper design, configuration or installation issues. Any statement from a Elemental LED employee or agent regarding a customer's bill of goods and/or purchase order is NOT an acknowledgment that the products purchased are designed and configured correctly. The purchase agrees and acknowledges that it is the customer's responsibility to adhere strictly to all information contained in the Product Specification Sheets.

There is often more than one way to design, configure and layout an LED lighting application properly to achieve the same lighting effect. Elemental LED strongly recommends that licensed professionals be used in the design and installation of lighting systems that include Elemental LED products. The specifications include important information that a designer and installer should carefully review and strictly follow. Qualified designers and certified and/or licensed installers, with access to the final installation environment, customer goals, and Elemental LED product specifications can make the requisite decisions appropriate for a successful finished lighting application.



© 2017 Elemental LED, Inc. All rights reserved.  
Specifications are subject to change without notice.

Toll Free: 877.817.6028 | [www.elementalLED.com](http://www.elementalLED.com) | [solutions@elementalLED.com](mailto:solutions@elementalLED.com)

SPEC SHEET | VALENT® X LED FIXTURE | SS062117-2.0 | 7 OF 7